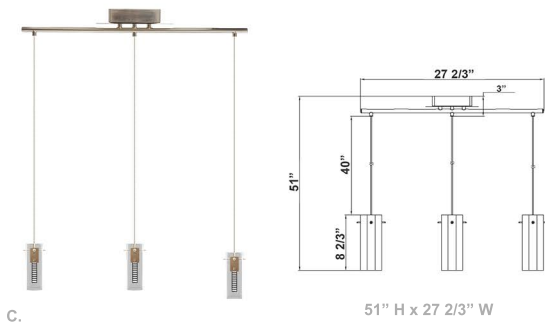
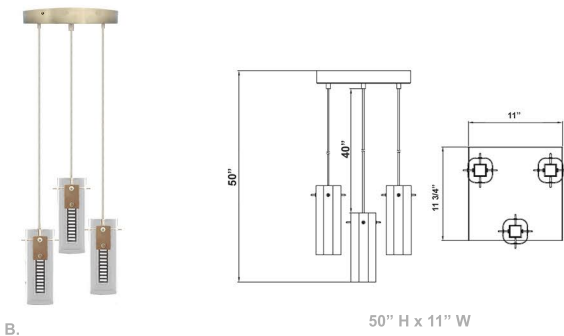
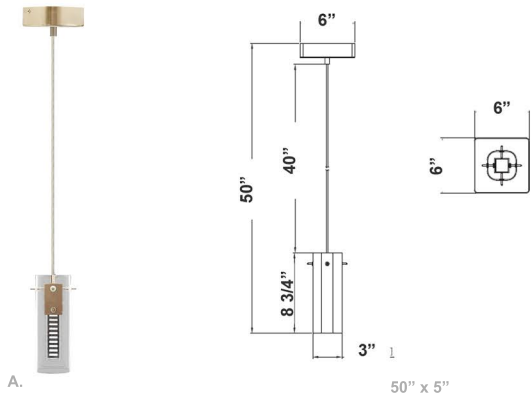


# Integrated LED Hologram Pendant Lights



## Wattage

12W / 36W

## Voltage Input

120V AC  
50Hz / 60Hz

## Efficacy

68 LPW

## Dimming

Dimmable Down to 5% Compatible with TRIAC and ELV Dimmers

## Finish

Glass Material: 5/64" (2mm) Thickness  
Ultra Clear Glass  
Brushed Nickel Finish

## Color Temperatures



## Beam Angles



## Features



| Catalog No.   | Fig. |
|---------------|------|
| LCFH-1L-MCT5  | A.   |
| LCFH-3LR-MCT5 | B.   |
| LCFH-3LS-MCT5 | C.   |